



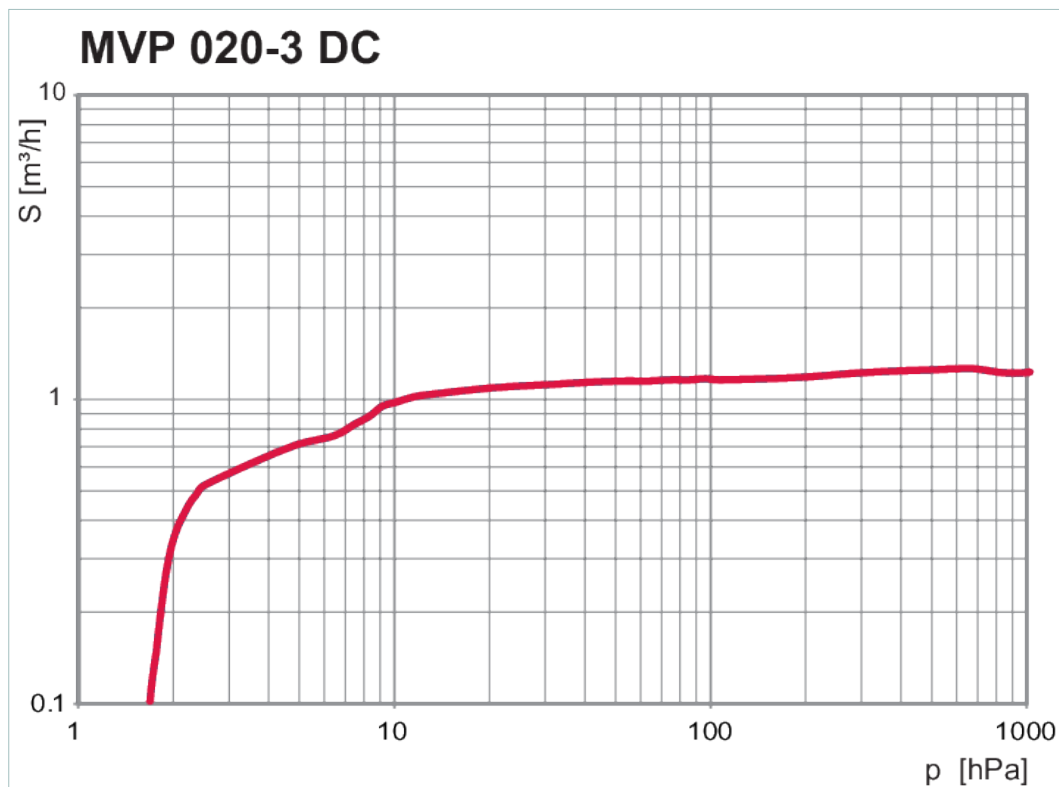
**MVP 020-3 DC, diaphragm pump,
24 V DC**



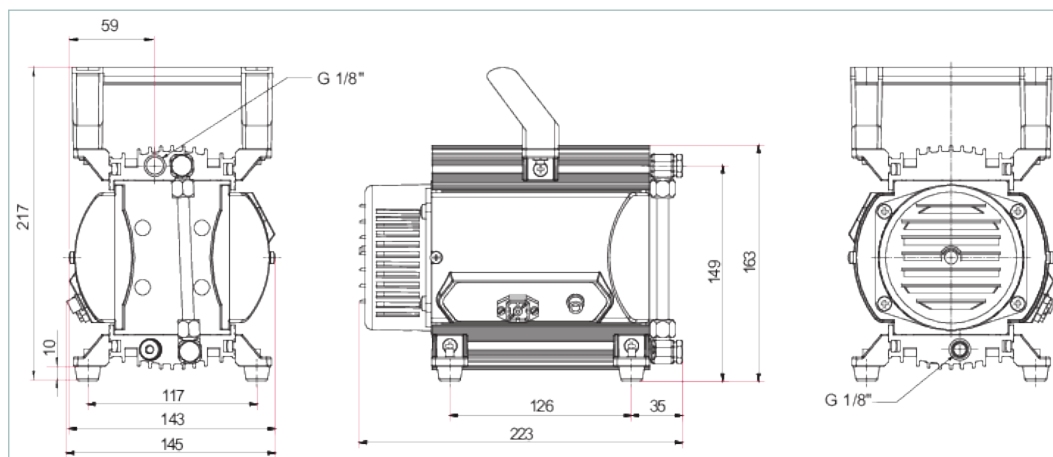
Similar Image

MVP 020-3 DC, diaphragm pump, 24 V DC

- Diaphragm pump with a pumping speed of up to 1.2 m³/h
- No hydrocarbons: Completely dry & oil-free diaphragm pump
- Low noise level, low vibrations and compact design, also ideal for use in laboratories
- Low operating costs thanks to the highest quality, short maintenance times and long maintenance intervals
- Suitable for clean room applications



Dimensions



Technical Data

MVP 020-3 DC, diaphragm pump, 24 V DC

Pumping speed	1.2 m ³ /h 0.71 cfm 20 l/min
Final pressure without gas ballast	2 hPa 1.5 Torr 2 mbar
Final pressure with gas ballast	3 hPa 2.25 Torr 3 mbar

Technical Data	MVP 020-3 DC, diaphragm pump, 24 V DC
Leakage rate	1 · 10 ⁻² Pa m ³ /s 7.5 · 10 ⁻² Torr l/s 1 · 10 ⁻¹ mbar l/s
Intake pressure max.	1,100 hPa 825 Torr 1,100 mbar
Exhaust pressure, max.	1,100 hPa 825 Torr 1,100 mbar
Connection flange (in)	G 1/8"
Connection flange (out)	G 1/8"
Supply: Voltage V DC	24 V DC
Current, max.	5.5 A
Rotation speed	300-1,500 rpm 300-1,500 min ⁻¹
Nominal rotation speed	1,500 rpm 1,500 min ⁻¹
Certification	cTUVus certified according to UL / CSA 61010-1
Protection degree	IP20
Switch	No
Sound pressure level	45 dB(A)
Ambient temperature	10-40 °C 50-104 °F 283-313 K
Temperature: Storage	-10-60 °C 14-140 °F 263-333 K
Temperature: Shipping	-10-60 °C 14-140 °F 263-333 K
Cooling method	Convection cooled
Weight	4.3 kg 9.48 lb
Gas ballast	Available as an accessory
Operating altitude, max.	2000 m

Order number	
MVP 020-3 DC	PK T01 198

Accessories	
Cables Connection cables	
Control cable, TC 110/120 - diaphragm pump, 0.5 m	PM 061 433 -X
Connection cable TPS - MVP	PM 061 441 -T
Connections Screw-in flanges	
Screwing flange DN 16 ISO-KF / 1/8" thread incl. seal	PK 050 108 -T
Control Devices Power supplies and control displays	
TPS 180, power supply pack for wall/standard rail installation	PM 061 341 -T
Protection Flushing devices	
Flushing gas nozzle with filter for MVP 020-3 / MVP 030-3	PK 050 304 -U